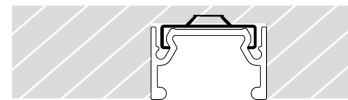
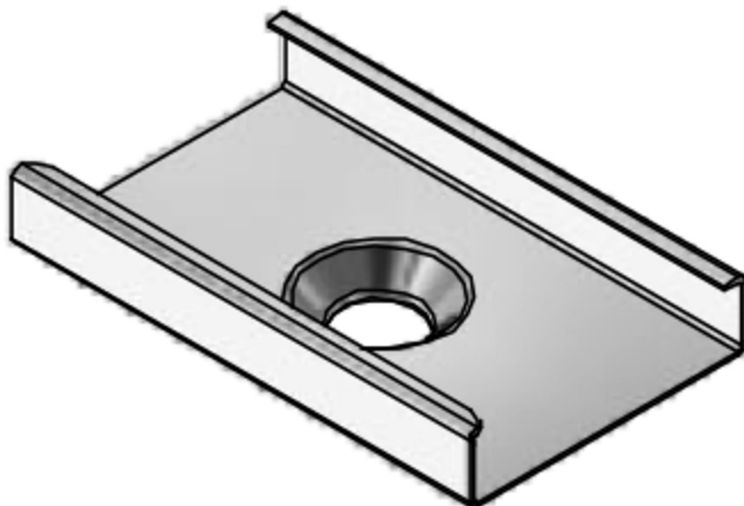


Mounting clip MTC5

BLMOUMTCLSTL2401450050

Article no.: 171250



24

Length

5

Height

14.5

Width

TENDER TEXT

BILTON MOUNTING MT Clip steel L24xB14,5xH5mm Accessories Mounting clip MTC5 Article 171250 The accessories Mounting clip MTC5 consists of Edelstahl with a Edelstahl surface and it is easy to assemble. Dimension (L x W x H): 24 x 14,5 x 5

PACKAGING INFORMATION

Mounting clip MTC5	
Customs tariff number	73089098
BLMOUNTCLSTL2401450050	
Net width [mm]	14.5
Article no.: 171250	
Net height [mm]	5
Net length [mm]	24



SAFETY INFORMATION: Read the safety and installation instructions carefully and completely before commissioning. The operating instructions can be found at: www.better-light.at

DISCLAIMER OF WARRANTY: The technical information corresponds to the status at the time of printing and have been worked out to the best of our knowledge. However, errors and printing errors are reserved. Make sure that you always use the latest version of the data sheets. The latest data sheet can be found at: www.better-light.at