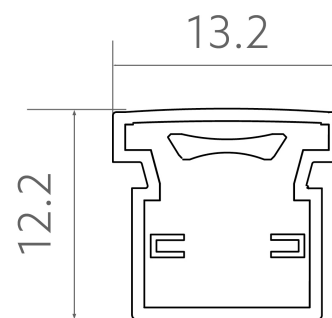


# Endcap set AIR TOP AT001

BL AIR end cap set plastic white for AIR Top

Article no.: 170889



Material



Colour

---

## TENDER TEXT

LED end cap set for AIR TOP, white plastic, incl. adhesive, L 4.2 x W 13.2 x H 12.2 mm BILTON LEDON Technology Endcap set AIR TOP AT001 Article 170889 The Endcap set AIR TOP AT001 consists of Kunststoff and has a White . Easy installation via to the profile. Dimension (L x W x H): 4.2 x 13.2 x

# PACKAGING INFORMATION

## Endcap set AIR TOP AT001

State of origin	CN
<b>BL AIR end cap set plastic white for AIR Top</b>	
Customs tariff number	853890000
Article no.: 170889	
Gross width [mm]	13.2
Gross height [mm]	12.2
Gross length [mm]	4.2
Net width [mm]	13.2
Net height [mm]	12.2
Net length [mm]	4.2



SAFETY INFORMATION: Read the safety and installation instructions carefully and completely before commissioning. The operating instructions can be found at: [www.better-light.at](http://www.better-light.at)

DISCLAIMER OF WARRANTY: The technical information corresponds to the status at the time of printing and have been worked out to the best of our knowledge. However, errors and printing errors are reserved. Make sure that you always use the latest version of the data sheets. The latest data sheet can be found at: [www.better-light.at](http://www.better-light.at)