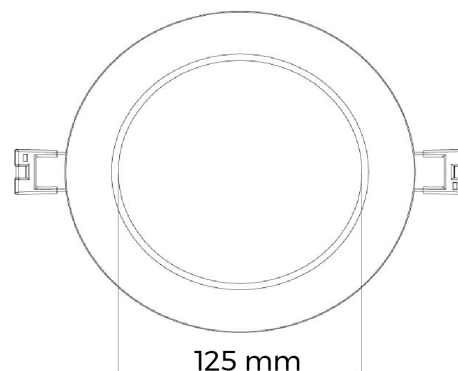


BL Downlight Pure Flat

BL Downlight Pure recessed luminaire 180mm 1300lm 12.5W 110D 830 WH IP44 350mA

Article no.: 722014



Colour housing



UV-resistant



Mounting method



Degree of protection (IP)

TENDER TEXT

LED recessed downlight round, 1,300 lumen, 12.5W, 110° direct beam, CRI >80, 3,000 Kelvin, IP44, IK05, protection class III, dimmable, UV-resistant, EEK F, white aluminium housing, without power supply unit, dimensions: D 180mm x H 24mm BL Downlight Pure Flat Article 722014 LED ceiling recessed downlight - power supply nein - with Retaining springs for ceiling thicknesses of 10 - 20 mm; use when space in the ceiling is limited; high-quality, White coated Aluminium frame; best light quality and homogeneous light distribution across the entire light emission surface; UV-resistant protection class IP44 ; Shock resistance IK05 , Luminous flux 1300 , Connected load 12.5 , Luminaire luminous efficacy 104 , Color rendering >80 , Light color White , Color temperature 3000 K, Beam angle 104 , Ambient temperature , Dimensions: 180 x 24 , Ceiling cutout 165

TOP-FEATURES

//__ Choice of light color from 3000 K

//__ IP44 splash-proof

//__ Available in round and square versions

//__ Plug&Play connection



BL Downlight Pure Flat

BL Downlight Pure recessed luminaire 180mm 1300lm 12.5W 110D 830 WH IP44 350mA

Article no.: 722014



MECHANICAL DATA

Material housing	Aluminium
Colour housing	White
Width	180
Length	180
Height/depth	24
Installation diameter	165
Outer diameter	180
Mounting method	Einbau
UV-resistant	yes
Lamp type	LED nicht austauschbar
Type of fastening	Retaining springs
Impact strength	IK05
Degree of protection (IP)	IP44
With lamp	yes
Surface finishing	matt
Suitable for wall mounting	yes
Control gear included	nein
Suitable for ceiling mounting	yes

ELECTRICAL DATA

Protection class	III
Voltage type	DC
Nominal voltage	37 - 40
Overall efficiency	104
Max. system power	12.5
Dimming depending on control gear	yes

LIGHT TECHNICAL DATA

Beam angle	110
Colour rendering index CRI	>80
Light distribution	symmetrical
Rated luminous flux according to IEC 62722-2-1	1300
Colour temperature [K]	3000
Colour of light	White
Colour consistency (McAdam ellipse)	SDCM4
Flicker-free	yes

TEMPERATURE TECHNICAL DATA

Impact strength	IK05
-----------------	------

Ambient temperature during operating - 20 ... + 40
Rated life-time L80/B10 at 25 °C 50000

BL Downlight Pure Flat



BL Downlight Pure recessed luminaire 180mm 1300lm 12.5W 110D 830 WH IP44 350mA

PACKAGING INFORMATION

State of origin	CN
Net weight [g]	300
Gross weight [g]	341
Net width [mm]	180
Net height [mm]	24
Net length [mm]	180

SAFETY INFORMATION: Read the safety and installation instructions carefully and completely before commissioning. The operating instructions can be found at: www.better-light.at

DISCLAIMER OF WARRANTY: The technical information corresponds to the status at the time of printing and have been worked out to the best of our knowledge. However, errors and printing errors are reserved. Make sure that you always use the latest version of the data sheets. The latest data sheet can be found at: www.better-light.at