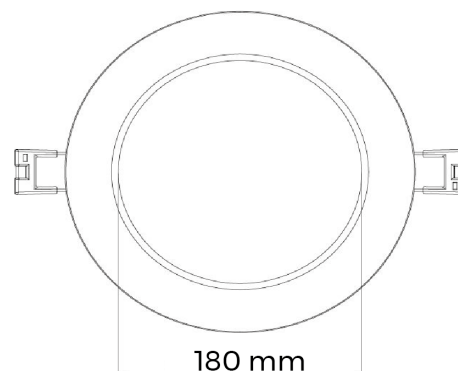
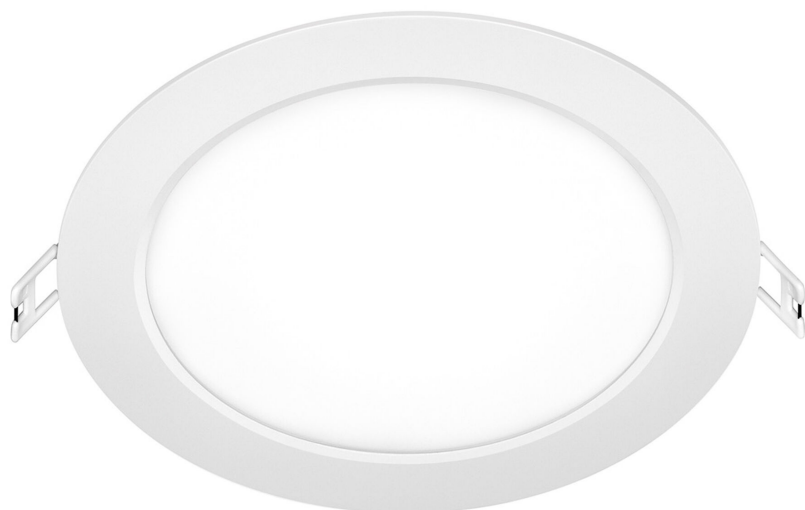


BL Downlight Pure Flat

BL Downlight Pure recessed luminaire 2300lm 18.5W 110D 840 white IP44 700mA

Article no.: 722028



Height/depth



UV-resistant



Impact strength



Degree of protection (IP)

TENDER TEXT

LED recessed downlight round, 2,300 lumen, 18.5W, 110° direct beam, CRI >80, 4,000 Kelvin, IP44, IK05, protection class III, dimmable, UV-resistant, EEK E, white aluminium housing, without power supply unit, without cable, dimensions: D 240mm x H 24mm BL Downlight Pure Flat Article 722028 LED ceiling recessed downlight - power supply nein - with Retaining springs for ceiling thicknesses of 10 - 20 mm; use when space in the ceiling is limited; high-quality, White coated Aluminium frame; best light quality and homogeneous symmetrical light distribution across the entire light emission surface; UV-resistant yes ; protection class IP44 ; Shock resistance IK05 , Luminous flux 2300 , Connected load 18.5 , Luminaire luminous efficacy 124 , Color rendering >80 , Light color White , Color temperature 4000 K, Beam angle 110 , Dimensions: 240 x 24 , Ceiling cutout 227

TOP-FEATURES

- //__ Light color 4000 K
- //__ IP44 splash-proof
- //__ Plug&Play connection
- //__ Extra-flat design



BL Downlight Pure Flat

BL Downlight Pure recessed luminaire 2300lm 18.5W 110D 840 white IP44 700mA

Article no.: 722028



MECHANICAL DATA

Material housing	Aluminium
Colour housing	White
Width	240
Length	240
Height/depth	24
Installation diameter	227
Outer diameter	240
UV-resistant	yes
Lamp type	LED nicht austauschbar
Type of fastening	Retaining springs
Impact strength	IK05
Degree of protection (IP)	IP44
With lamp	yes
Surface finishing	matt
Suitable for wall mounting	yes
Control gear included	nein
Suitable for ceiling mounting	yes

ELECTRICAL DATA

Protection class	III
Voltage type	DC
Nominal voltage	27 - 30
Overall efficiency	124
Max. system power	18.5
Dimming depending on control gear	yes

LIGHT TECHNICAL DATA

Beam angle	110
Colour rendering index CRI	>80
Light distribution	symmetrical
Rated luminous flux according to IEC 62722-2-1	2300
Colour temperature [K]	4000
Colour of light	White
Colour consistency (McAdam ellipse)	SDCM4
Flicker-free	yes

TEMPERATURE TECHNICAL DATA

Impact strength	IK05
-----------------	------

PACKAGING INFORMATION

BL Downlight Pure Flat

State of origin CN
BL Downlight Pure recessed luminaire 2300lm 18.5W 110D 840 white IP44 700mA
Customs tariff number 94054239
Article no.: 722028
Net weight [g] 520



BETTER LIGHT

Gross weight [g]	601
Net width [mm]	240
Net height [mm]	24
Net length [mm]	240

SAFETY INFORMATION: Read the safety and installation instructions carefully and completely before commissioning. The operating instructions can be found at: www.better-light.at

DISCLAIMER OF WARRANTY: The technical information corresponds to the status at the time of printing and have been worked out to the best of our knowledge. However, errors and printing errors are reserved. Make sure that you always use the latest version of the data sheets. The latest data sheet can be found at: www.better-light.at