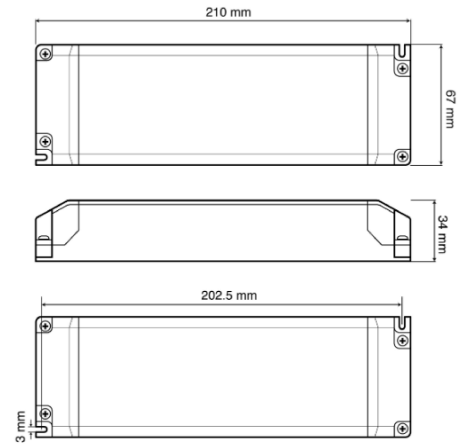


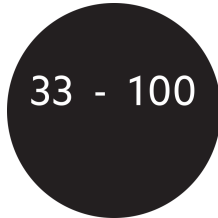
Drive Dim Triac

BL drive DIM TRIAC 100 W 24 V IP20 power supply unit

Article no.: 171659



Output voltage range



Output power range



Degree of protection (IP)

TENDER TEXT

LED power supply, white, 24V, 220-240VAC, IP20, constant voltage, TRIAC, 100W BILTON LEDON Technology power supply Drive Dim Triac Article 171659 The power supply can be used up to 33 - 100 output power and 24 output voltage. The supply voltage of the power supply is 198 - 264 and has a IP20 protection class and protection class II . Rotary knob not included / TRIAC = Phase-cut dimmable Dimension (L x W x H): 210 x 67 x 34



Drive Dim Triac

BL drive DIM TRIAC 100 W 24 V IP20 power supply unit

Article no.: 171659



PACKAGING INFORMATION

State of origin	CN
Customs tariff number	85044083
Net weight [g]	540
Gross weight [g]	540
Net width [mm]	67
Net height [mm]	34
Net length [mm]	210

SAFETY INFORMATION: Read the safety and installation instructions carefully and completely before commissioning. The operating instructions can be found at: www.better-light.at

DISCLAIMER OF WARRANTY: The technical information corresponds to the status at the time of printing and have been worked out to the best of our knowledge. However, errors and printing errors are reserved. Make sure that you always use the latest version of the data sheets. The latest data sheet can be found at: www.better-light.at