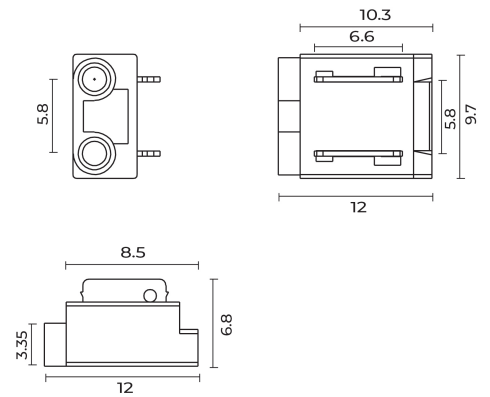


BL LED connector - cable

BL LED connector 2-pin cable to LED strip

Article no.: 172089



Rated voltage



Degree of protection (IP),
mounted



Rated current In



Number of poles

TENDER TEXT

for single-color LED strips, strip width 8mm, max. 4A at AWG20, cable diameter 1.85mm, IP20 BILTON LEDON Technology BL LED connector - cable 2 pole Article 172089 The connector is a 2 pole BL LED connector - cable with Schneidklemmanschluss . The connector has a IP20 protection class and the Connection type is: Printed circuit board to cable . Max. Rated current 4 . Dimensions (L x W x H): 12 mm x 9.7 mm x 6.8 mm



connector - cable

BL LED connector 2-pin cable to LED strip

Article no.: 172089



PACKAGING INFORMATION

State of origin	CN
Customs tariff number	85444995
Net weight [g]	0.5
Gross weight [g]	52
Gross width [mm]	88
Gross height [mm]	88
Gross length [mm]	55
Net width [mm]	9.7
Net height [mm]	6.8
Net length [mm]	12

* Information about the electrical and lighting technology measurements: Performance data measured after 1 min. at 25 °C ambient temperature and a light colour of 4,000 K (or RGB). These values can have a tolerance value of -/+ 10% (or -/+ 15 %at ECO / TWO / RGB / AIR). Module length at 24 V input voltage at the module and luminous flux drop 10% over the specified length.

SAFETY INFORMATION: Read the safety and installation instructions carefully and completely before commissioning. The operating instructions can be found at: www.better-light.at

DISCLAIMER OF WARRANTY: The technical information corresponds to the status at the time of printing and have been worked out to the best of our knowledge. However, errors and printing errors are reserved. Make sure that you always use the latest version of the data sheets. The latest data sheet can be found at: www.better-light.at