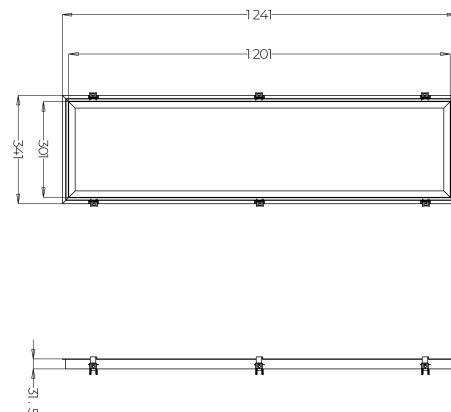
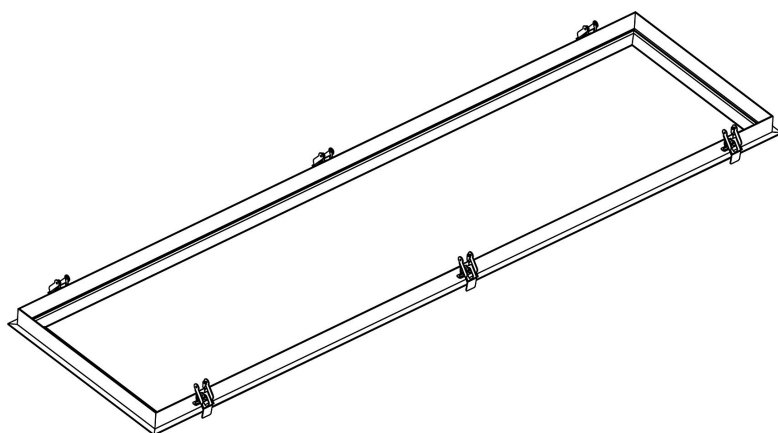


Installation frame

BL recessed mounting kit for panel 1197x297 aluminium white welded

Article no.: 719272



Aluminium

Material

Einbau

Mounting method

White

Colour

TENDER TEXT

BILTON LEDON Technology Installation frame Article 719272 The Installation frame consists of Aluminium in the color White . Einbau of the panel. The square version uses 4 springs (arranged in 2 x 2) and the rectangular version uses 6 springs (arranged in 3 x 2). Suitable for ceiling thicknesses of 15–30 mm. Dimensions (L x W x H): 1245 x 308 x 31



Installation frame

BL recessed mounting kit for panel 1197x297 aluminium white welded

Article no.: 719272



PACKAGING INFORMATION

State of origin	CN
Customs tariff number	94059900
Net weight [g]	7200
Gross weight [g]	7200
Gross width [mm]	240
Gross height [mm]	400
Gross length [mm]	1340
Net width [mm]	308
Net height [mm]	31
Net length [mm]	1245

SAFETY INFORMATION: Read the safety and installation instructions carefully and completely before commissioning. The operating instructions can be found at: www.better-light.at

DISCLAIMER OF WARRANTY: The technical information corresponds to the status at the time of printing and have been worked out to the best of our knowledge. However, errors and printing errors are reserved. Make sure that you always use the latest version of the data sheets. The latest data sheet can be found at: www.better-light.at