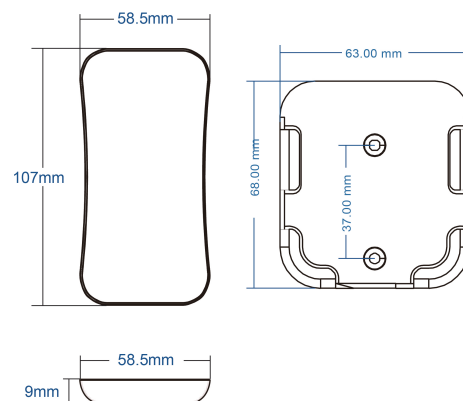


BL Remote Control Single Wireless

BL Remote Control, Single-channel

Article no.: 172191



TENDER TEXT

BL Single Remote Control for 1-channel wireless control, RF 2.4GHz, 3VDC 2032 battery (not included), IP20, L107, W58.5, H9 BILTON LEDON Technology BL Remote Control Single Wireless Item 172191 BL Remote Control Single Wireless for controlling lighting systems and compatible controllers. Power is supplied by a 3 V button cell battery (type CR2032), which is not included. Maximum number of controllable devices:

TOP-FEATURES

- //_ Control function (wireless)
- //_ Maximum number of controllable devices:
- //_ The Smart Sync function allows multiple devices to be synchronised

PACKAGING INFORMATION

State of origin	CN
Customs tariff number	85437090
Net weight [g]	34
Gross weight [g]	62

BL Remote Control Single Wireless

Gross width [mm]	65
Gross height [mm]	20
Gross length [mm]	114
Net width [mm]	58.5
Net height [mm]	9
Net length [mm]	107



SAFETY INFORMATION: Read the safety and installation instructions carefully and completely before commissioning. The operating instructions can be found at: www.better-light.at

DISCLAIMER OF WARRANTY: The technical information corresponds to the status at the time of printing and have been worked out to the best of our knowledge. However, errors and printing errors are reserved. Make sure that you always use the latest version of the data sheets. The latest data sheet can be found at: www.better-light.at