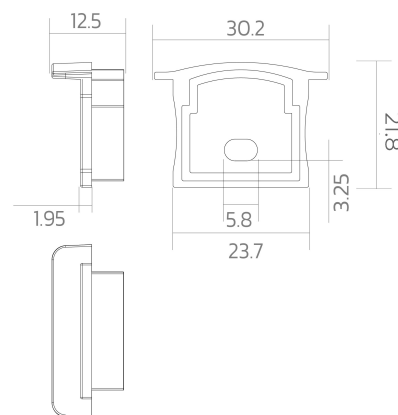


End cap BLine-E-M-IN01

BLine E-M-IN01 Endcap silver for profile P-M-IN01 and cover C-M-01 with drill

Article no.: 171914



TENDER TEXT

Endcap ABS silver (with cable hole 5.8x3.3mm) for installation profile P-S-IN01 and cover C-S-01 BILTON LEDON Technology End cap BLine-E-M-IN01 Article 171914 The End cap BLine-E-M-IN01 consists of Kunststoff with a Silber surface. Cable hole:
Dimensions (L x W x H): 12.6 x 23.7 x 21.8



PACKAGING INFORMATION

End cap BLine-E-M-IN01

State of origin CN
BLine E-M-IN01 Endcap silver for profile P-M-IN01 and cover C-M-01 with drill
Customs tariff number 39169050
Article no.: 171914
Net weight [g] 1



Gross weight [g]	50
Gross width [mm]	100
Gross height [mm]	100
Gross length [mm]	30
Net width [mm]	30.2
Net height [mm]	21.8
Net length [mm]	12.6

* Our aluminum profiles, plastic profiles, and associated accessories are intended exclusively for use in LED lighting, especially LED strips. They serve as integral components of luminaires and are designed for this purpose. Any other use, especially any misuse outside of LED lighting, is beyond our responsibility.

We assume no liability for damages or consequential costs resulting from improper use of our products.

SAFETY INFORMATION: Read the safety and installation instructions carefully and completely before commissioning. The operating instructions can be found at: www.better-light.at

DISCLAIMER OF WARRANTY: The technical information corresponds to the status at the time of printing and have been worked out to the best of our knowledge. However, errors and printing errors are reserved. Make sure that you always use the latest version of the data sheets. The latest data sheet can be found at: www.better-light.at