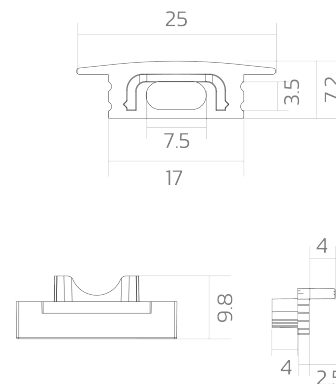
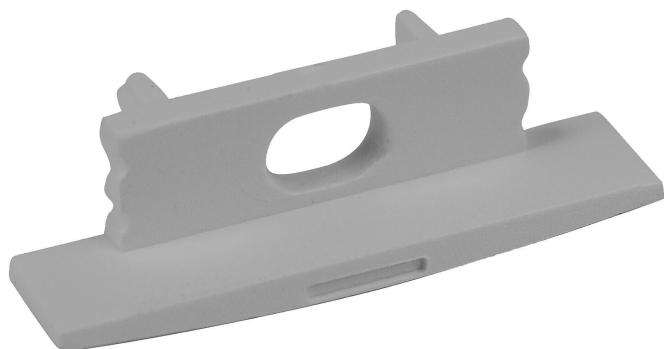


End cap BLine-E-S-IN01

BLine E-S-IN01 Endcap silver for profile P-S-IN01 and cover C-S-01 with drill

Article no.: 171795



Colour

TENDER TEXT

Endcap ABS silver (with cable hole 3.5x7mm) for installation profile P-S-IN01 and cover C-S-01 BILTON LEDON Technology End cap BLine-E-S-IN01 Article 171795 The End cap BLine-E-S-IN01 consists of Kunststoff with a grau surface. The End cap BLine-E-S-IN01 is provided with a cable hole - Dimensions (L x W x H): 9.8 x x 7.2 mm



End cap BLine-E-S-IN01

BLine E-S-IN01 Endcap silver for profile P-S-IN01 and cover C-S-01 with drill

Article no.: 171795



MECHANICAL DATA

Material	Kunststoff
Width	25
Length	9.8
Height	7.2
Mounting method	sonstige
Colour	grau
Model	Endkappe
Suitable for	Einbauprofil
Surfacetreatment	sonstige

PACKAGING INFORMATION

State of origin	CN
Customs tariff number	39269097
Net width [mm]	25
Net height [mm]	7.2
Net length [mm]	9.8

SAFETY INFORMATION: Read the safety and installation instructions carefully and completely before commissioning. The operating instructions can be found at: www.better-light.at

DISCLAIMER OF WARRANTY: The technical information corresponds to the status at the time of printing and have been worked out to the best of our knowledge. However, errors and printing errors are reserved. Make sure that you always use the latest version of the data sheets. The latest data sheet can be found at: www.better-light.at